

Table of Contents

1.	INTRODUCTION	3
1.1	DOCUMENT SCOPE	3
1.2	KIT OVERVIEW	3
2.	GETTING STARTED	4
2.1	INSTALL DEVELOPMENT TOOLS	5
2.2	QM_XC6SLX16_SDRAM HARDWARE DESIGN.....	6
2.2.1	QM_XC6SLX16_SDRAM Power Supply.....	6
2.2.2	QM_XC6SLX16_SDRAM SPI Boot.....	7
2.2.3	QM_XC6SLX16_SDRAM Memory.....	8
2.2.4	QM_XC6SLX16_SDRAM System Clock	8
2.2.5	QM_XC6SLX16 Extension IO	9
2.2.1	QM_XC6SLX16_SDRAM 3.3V Power Supply	10
2.2.2	QM_XC6SLX16_SDRAM JTAG Port.....	10
2.2.3	QM_XC6SLX16_SDRAM User LED.....	10
2.2.4	QM_XC6SLX16_SDRAM User Key	11
3.	REFERENCE	12
4.	REVISION.....	13



1. Introduction

1.1 Document Scope

This demo user manual introduces the QM_XC6SLX16_SDRAM core board and describes how to setup the core board running with application software Xilinx ISE 14.7. Users may employ the on board rich logic resource FPGA XC6SLX16-2FTG256C and large SDRAM memory MT48LC16M16 to implement various applications. The core board also has 108 non-multiplexed FPGA IOs for extending customized modules, such as UART module, CMOS/CCD camera module, LCD/HDMI/VGA display module etc.

1.2 Kit Overview

Below section lists the parameters of the QM_XC6SLX16_SDRAM core board:

- On-Board FPGA: XC6SLX16-2FTG256C;
- On-Board FPGA external crystal frequency: 50MHz;
- XC6SLX16-2FTG256C has rich block RAM resource up to 576Kb;
- XC6SLX16-2FTG256C has 14,579 logic cells;
- On-Board M25P80 SPI Flash, 1M bytes for user configuration code;
- On-Board 32MB Micron SDRAM, MT48LC16M16A2-75;
- On-Board 3.3V power supply for FPGA by using MP2359 wide input range DC/DC;
- XC6SLX16 development board has two 64p, 2.54mm pitch headers for extending user IOs. All IOs are precisely designed with length matching;
- XC6SLX16 development board has 3 user switches;
- XC6SLX16 development board has 4 user LEDs;
- XC6SLX16 development board has JTAG interface, by using 6p, 2.54mm pitch header;
- XC6SLX16 development board PCB size is: 6.7cm x 8.4cm;
- Default power source for board is: 1A@5V DC, the DC header type: DC-050, 5.5mmx2.1mm;

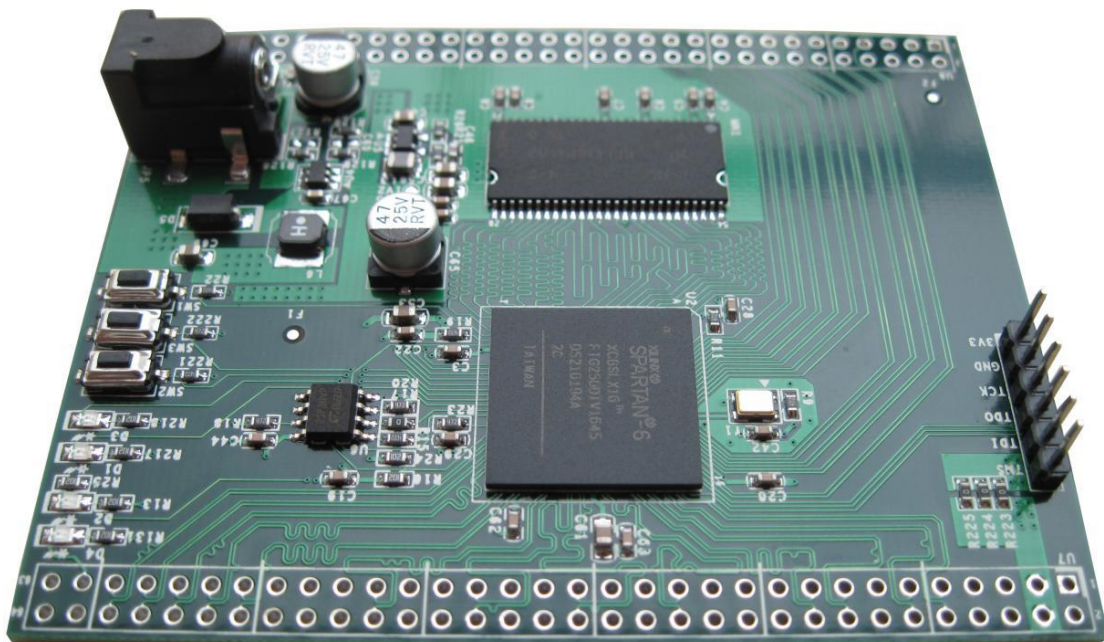


Figure 1-1. QM_XC6SLX16_SDRAM Core Board Overview

2. Getting Started

The QM_XC6SLX16_SDRAM core board includes below item:

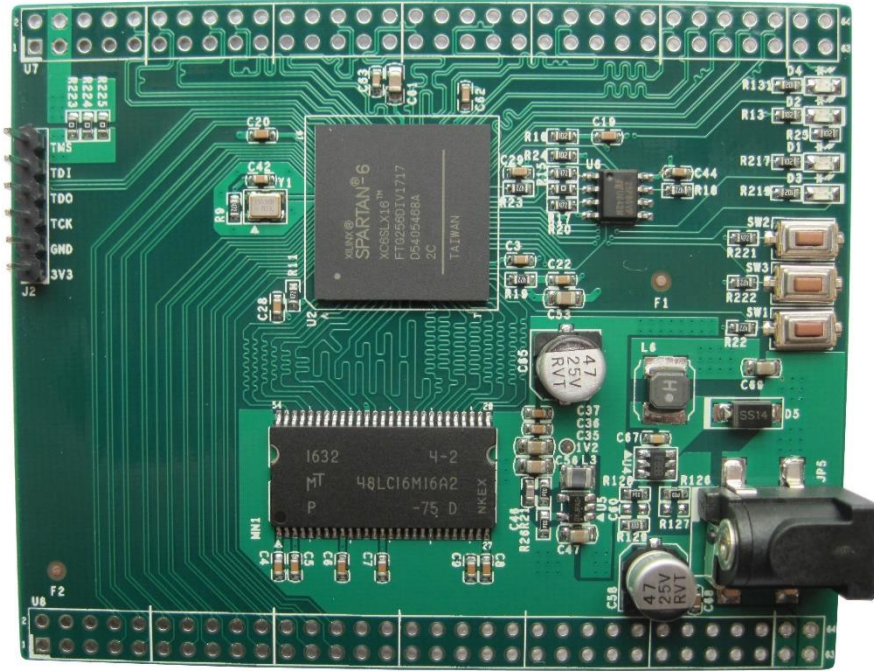


Figure 2-1. QM_XC6SLX16_SDRAM Top View

Below image shows the dimension of the QM_XC6SLX16_SDRAM core board: 6.7cm x 8.4cm. The unit in below is millimeter(mm).

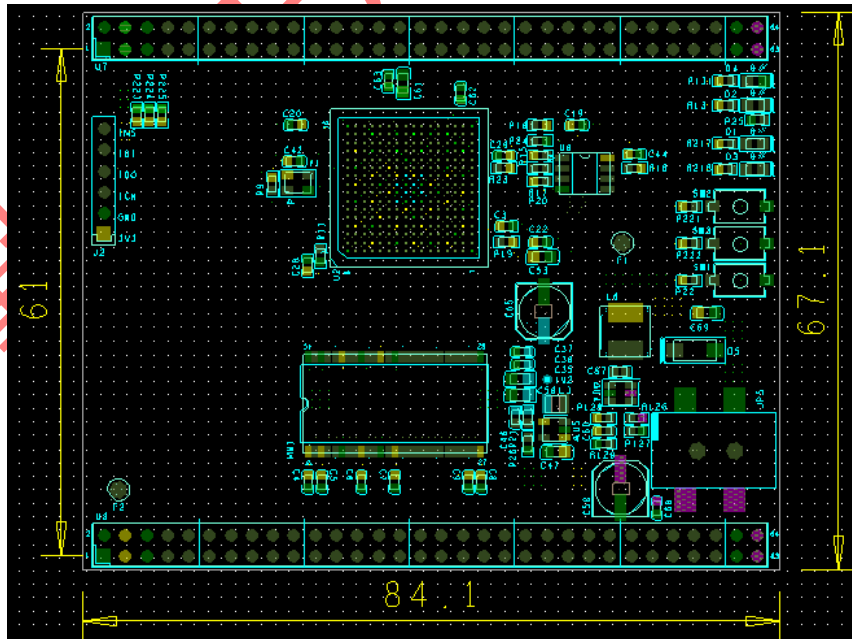


Figure 2-2. QM_XC6SLX16_SDRAM Core Board Dimension

2.1 Install Development Tools

The QM_XC6SLX16_SDRAM core board tool chain consists of Xilinx ISE 14.7, Xilinx USB platform cable, XC6SLX16 core board and 5V DC power supply. Below image shows the Xilinx ISE14.7 development environment which could be downloaded from [Xilinx office website](#):

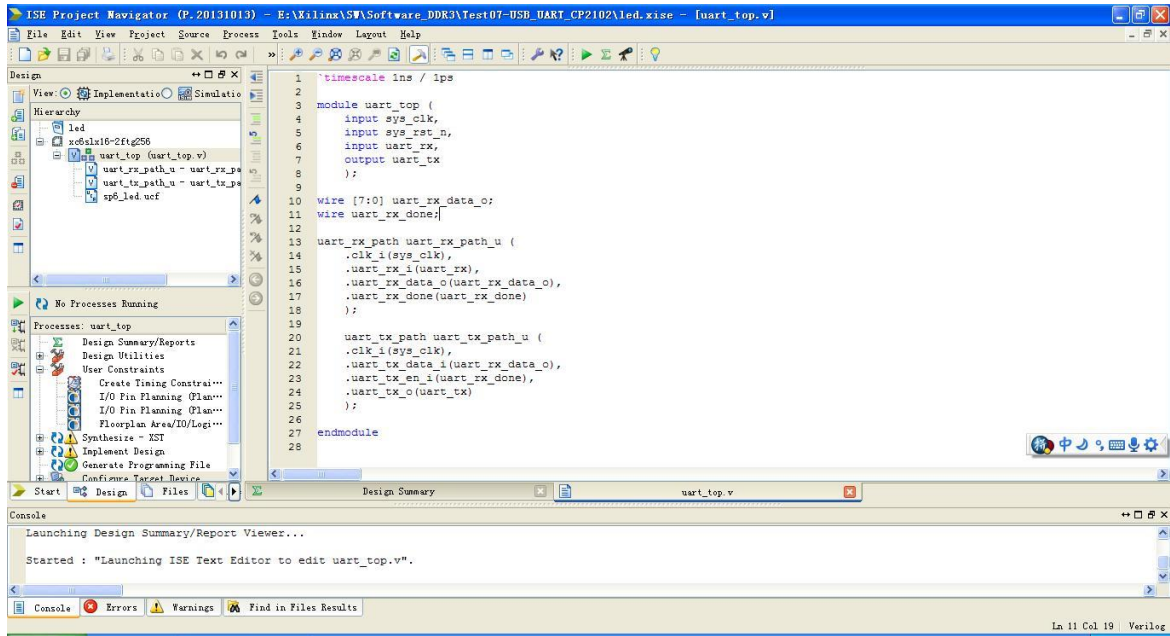


Figure 2-3. ISE 14.7

Below image shows the JTAG connection between Xilinx USB platform cable and XC6SLX16 core board:



Figure 2-4. JTAG Connection and Power Supply

2.2 QM_XC6SLX16_SDRAM Hardware Design

2.2.1 QM_XC6SLX16_SDRAM Power Supply

The core board needs 5V DC input as power supply which could be directly injected from power header or the 64P female header U7/U8. Users may refer to the hardware schematic for the detailed design. The on board LED D4 indicates the 3.3V supply, it will be turned on when the 5V power supply is active. In default status, all the FPGA banks IO power level is 3.3V because bank power supply is 3.3V. However, BANK1 IO's power level could be changed according to detailed custom requirement. There're three 0 ohm resistors could be removed:R223/R224/R225, and instead the BANK1's power supply could be injected from 64P female header U7. Detailed design refer to hardware schematic.

Note: FPGA core supply 1.2V is regulated by On-Semi DC/DC chip NCP1529 which could output maximum 1A current.

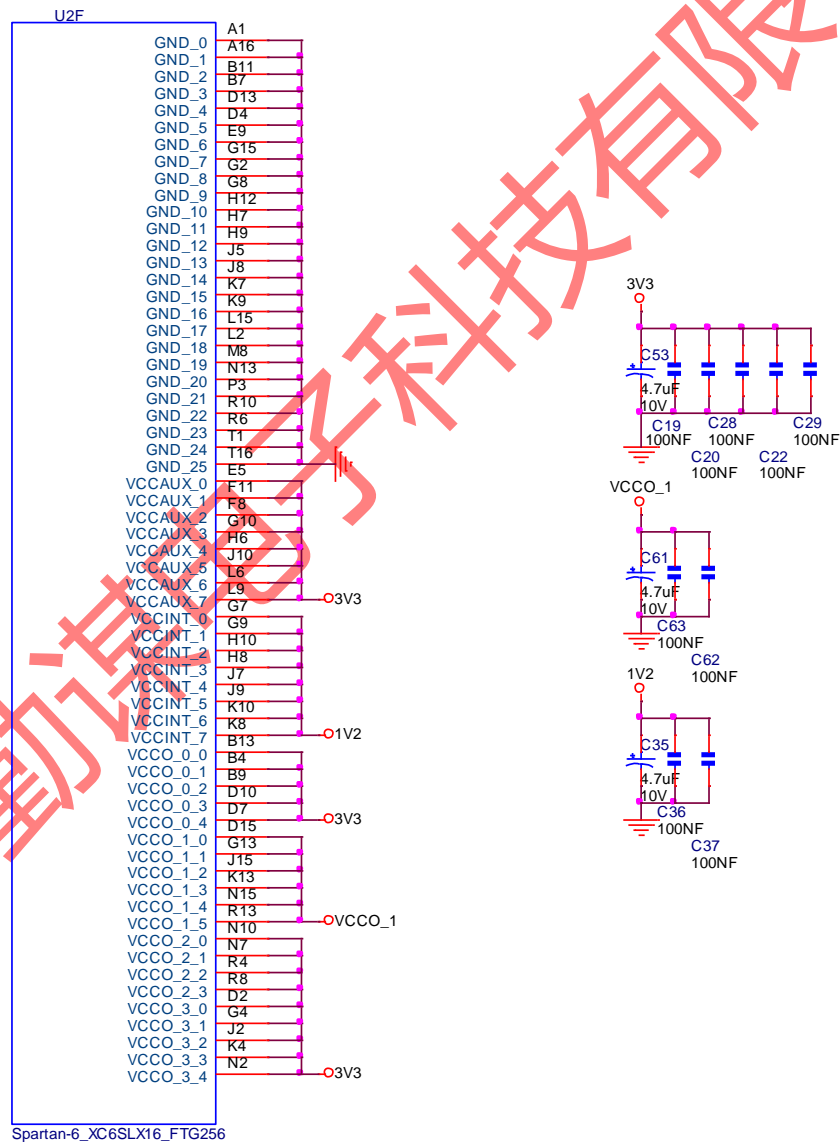


Figure 2-5. Power Supply for the FPGA



2.2.2 QM_XC6SLX16_SDRAM SPI Boot

In default, QM_XC6SLX16 boots from external SPI Flash, detailed hardware design is shown in below figure. The SPI flash is using M25P80 manufactured by Micron, with 8Mbit memory storage.

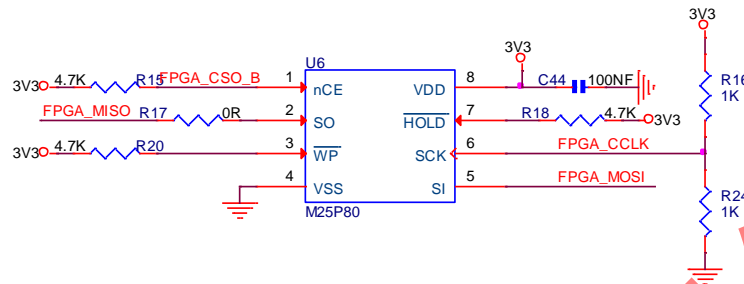


Figure 2-6. SPI Flash

The FPGA boot sequence setting M0:M1 is configured as 1:0 which indicates FPGA will boot from SPI Flash after power on.

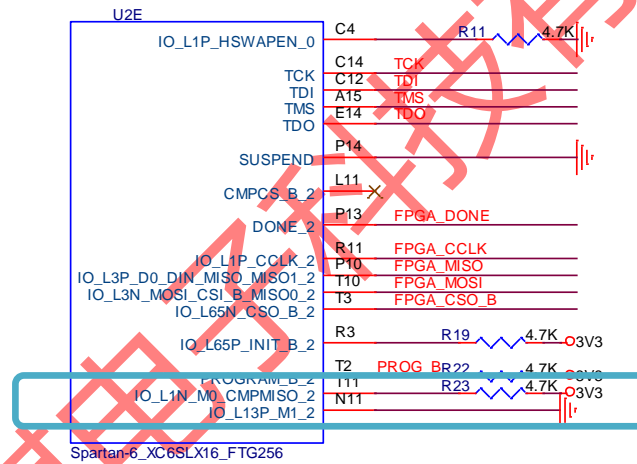


Figure 2-7. M0:M1 Hardware Settings

The LED D2 will be turned on after the FPGA successfully loading configuration file from SPI Flash during power on stage. In this case, LED D2 could be used as FPGA loading status indicator.

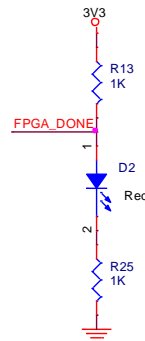


Figure 2-8. FPGA_DONE Status Indicator



2.2.3 QM_XC6SLX16_SDRAM Memory

QM_XC6SLX16 has on board 16bit width data bus, 32MB memory size SDRAM MT48LC16M16 provided by Micron. Below image shows the detailed hardware design:

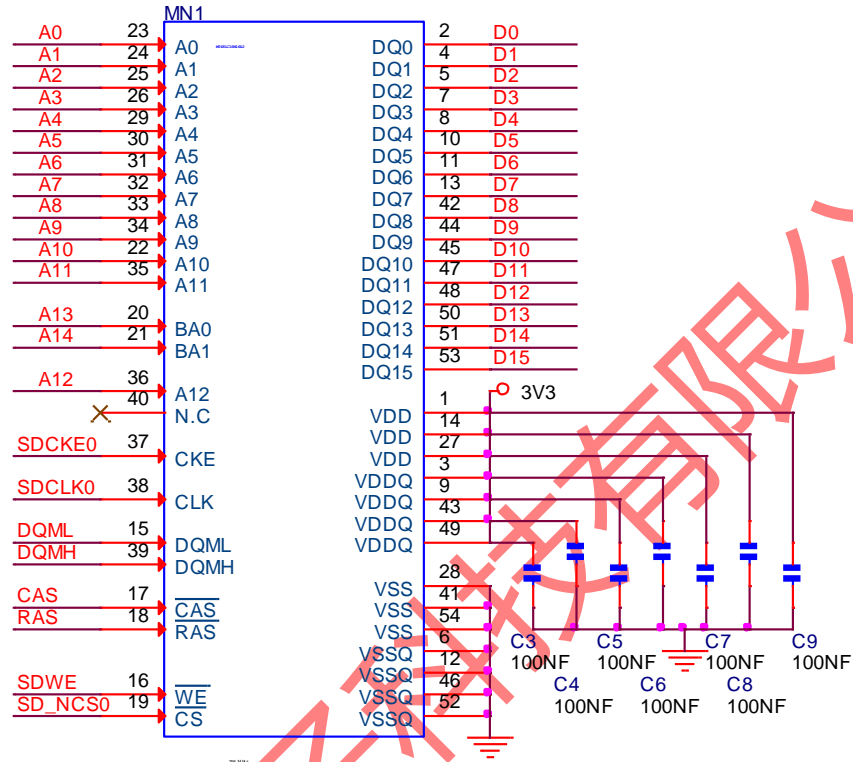
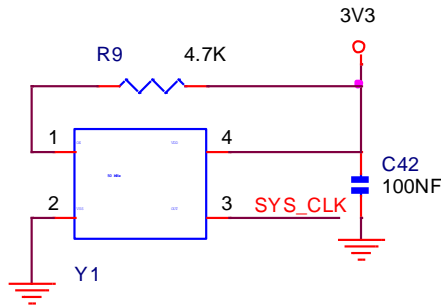


Figure 2-9. SDRAM

2.2.4 QM_XC6SLX16_SDRAM System Clock

FPGA chip XC6SLX16-2FTG256C has system clock frequency 50MHz which is directly provided by external crystal. The crystal is designed with high accuracy and stability with low temperature drift 10ppm/° c. Below image shows the detailed hardware design:



SG-8002JC-50.0000M-PCB

Figure 2-10. 50MHz System Clock



2.2.5 QM_XC6SLX16 Extension IO

The core board has two 64P 2.54mm pitch female headers which are used for extending user modules, such as ADC/DAC module, audio/video module, ethernet module, etc.

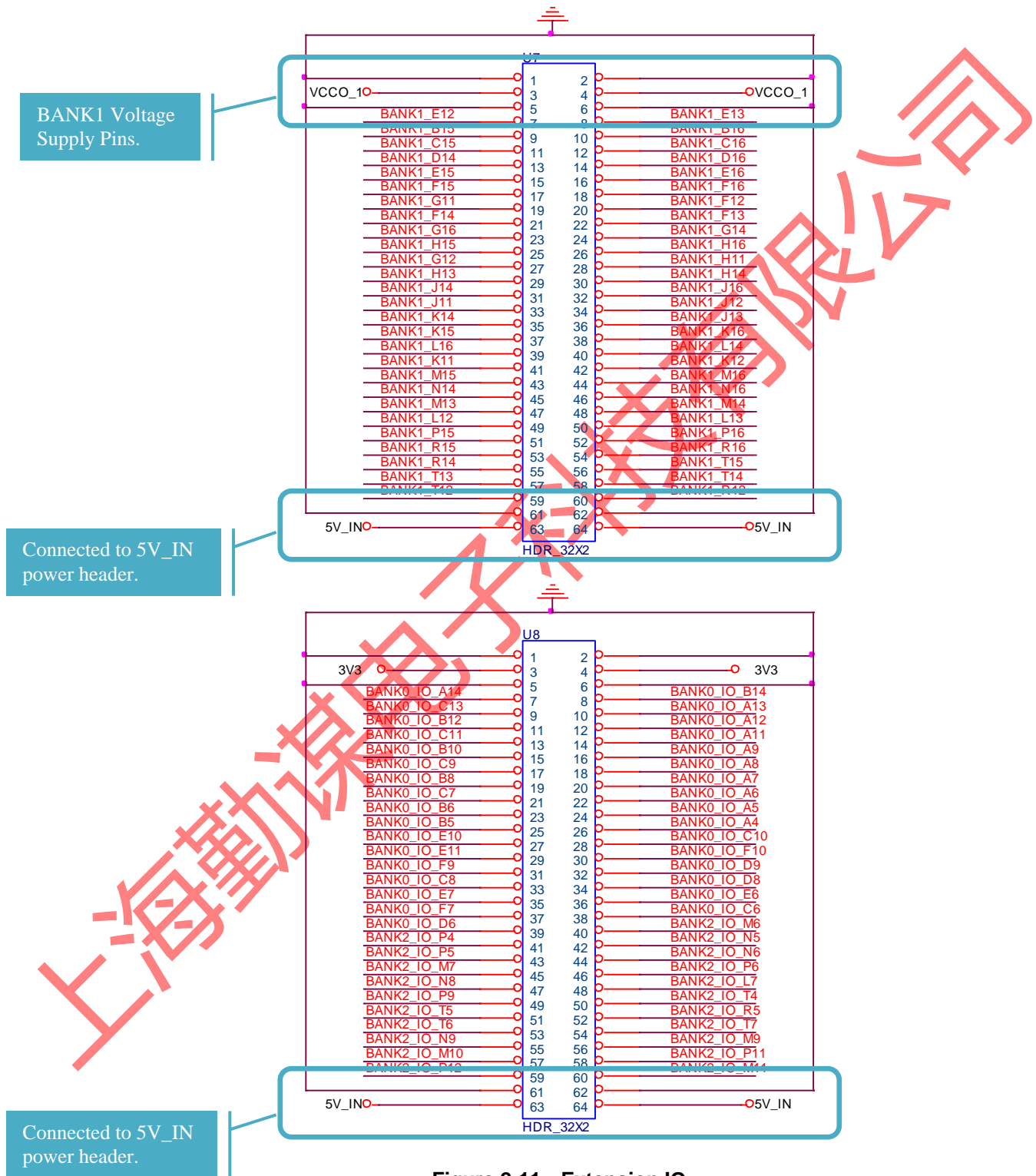


Figure 2-11. Extension IO

2.2.1 QM_XC6SLX16_SDRAM 3.3V Power Supply

The core board's 3.3V power supply is using high efficiency DC/DC chip MP2359 provided by MPS Inc. The MP2359 supports wide voltage input range from 4.5V to 24V. In normal use case, 5V DC power supply is suggested to be applied on the board. Below image shows the MP2359 hardware design:

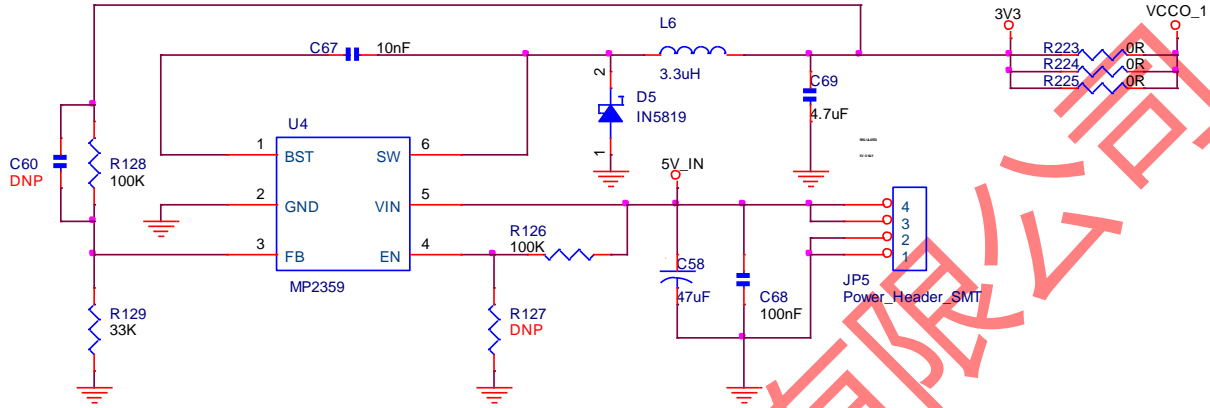


Figure 2-12. MP2359 Hardware Design

2.2.2 QM_XC6SLX16_SDRAM JTAG Port

The on board JTAG port uses 6P 2.54mm pitch header which could be easily connected to Xilinx USB platform cable. Below image shows the hardware design of the JTAG port:

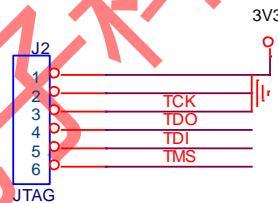


Figure 2-13. JTAG Port

2.2.3 QM_XC6SLX16_SDRAM User LED

Below image shows two user LEDs and 3.3V power supply indicator:

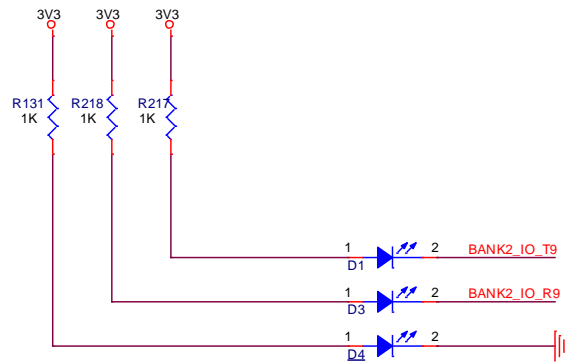


Figure 2-14. LEDs

2.2.4 QM_XC6SLX16_SDRAM User Key

Below image shows the PROGRAM_B key and two user keys:

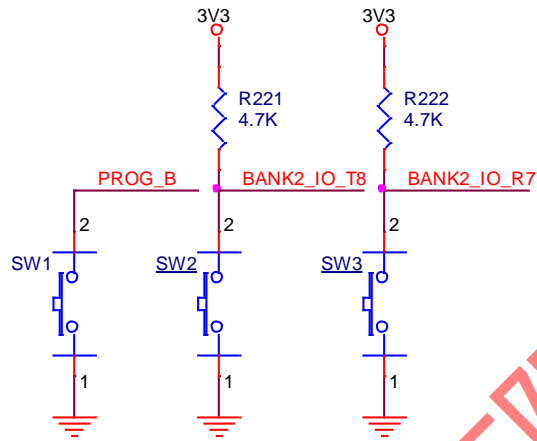


Figure 2-15. Keys

上海勤谋电子科技有限公司



3. Reference

- [1] ug380-Configuration.pdf
- [2] ug385-Package.pdf
- [3] ug394-Power Management.pdf
- [4] M25P80.pdf
- [5] LPC-Link-II_Rev_C.pdf
- [6] QM_XC6SLX16.pdf

上海勤谋电子科技有限公司



4. Revision

Doc. Rev.	Date	Comments
0.1	05/10/2017	Initial Version.
1.0	05/14/2017	V1.0 Formal Release.

上海勤谋电子科技有限公司